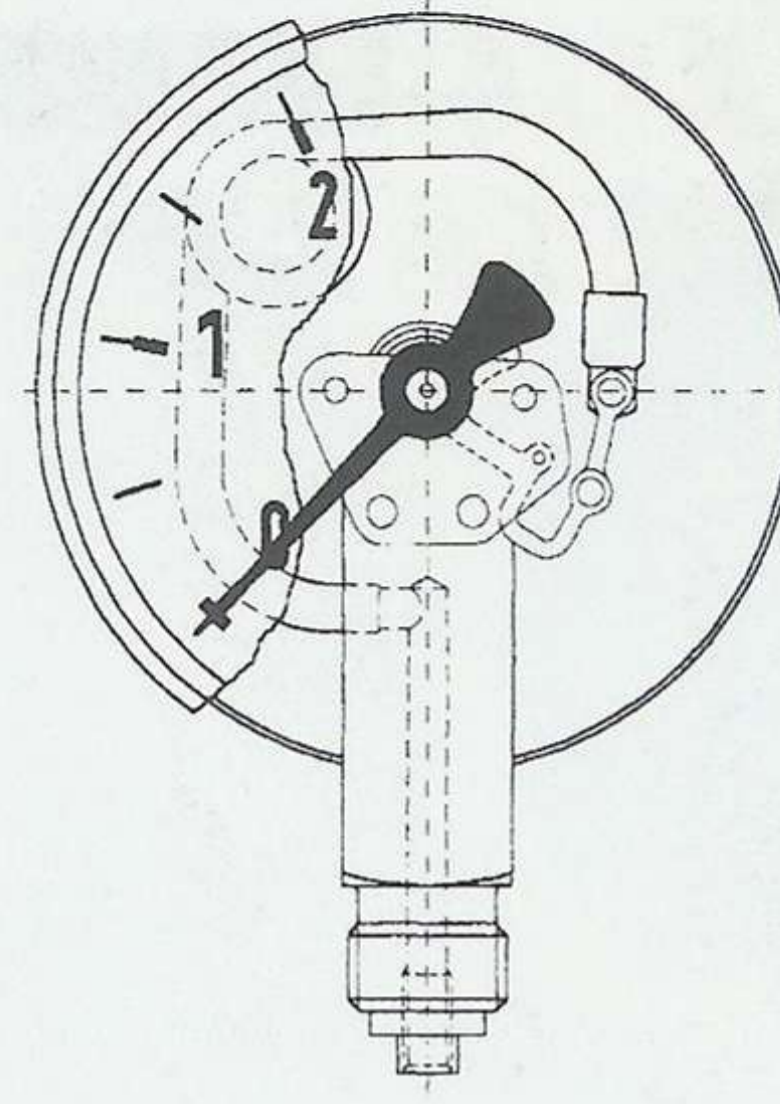


# GLYCERINE BOURDON TUBE PRESSURE GAUGE



## How to order

**A** -  $\frac{2\frac{1}{2}}{1} - \frac{\text{X}}{3}$

- 1 Type A: Bottom connection D: Back connection W/O flange AD: Back connection W/O flange with U-clamp BD: Back connection with flange
- 2 Dial diameter
- 3 Pressure range

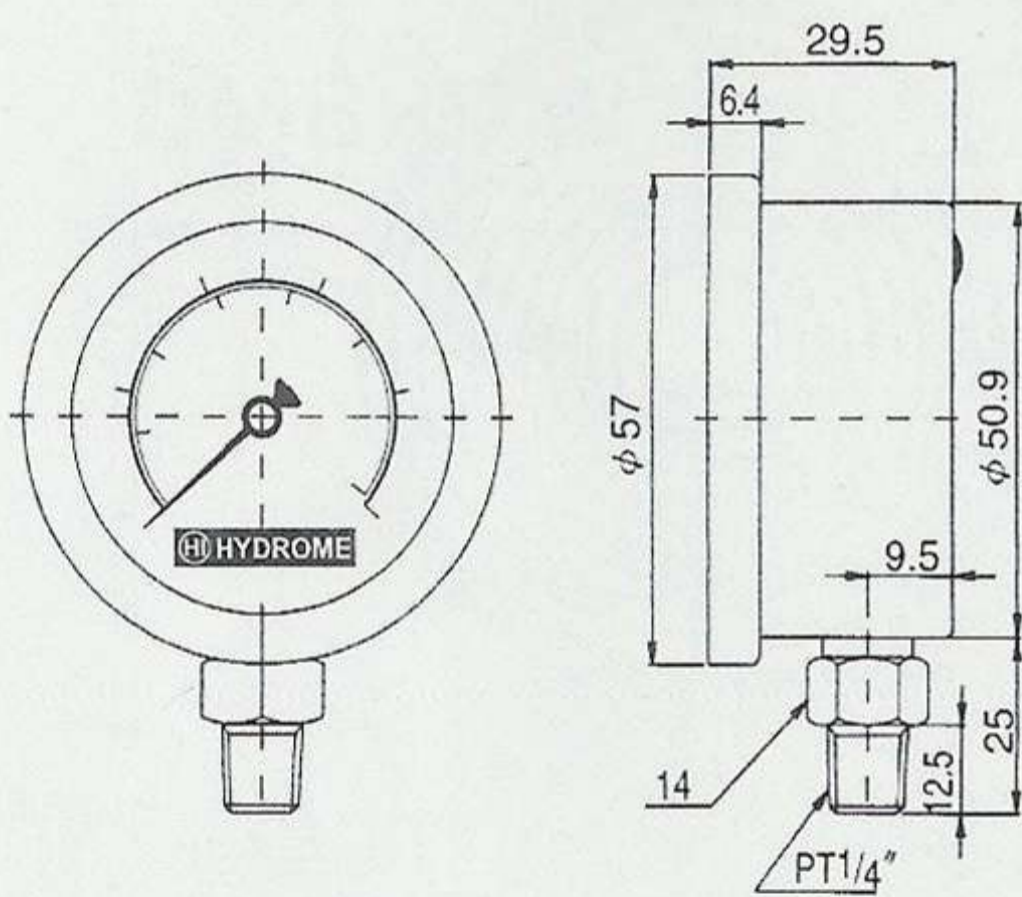
## Specifications

Dial Size	Case, Bezel	Thread	Socket	Bourdon Tube	Movement	Single, Dual Scale	Accuracy (% F.S.)	Ambient Temperature	Weight(kg)	
									A	BD
1-1/4"	SUS 304	1/8" PT, BSP, NPT	Brass or sus 316	Brass or sus 316	Brass or sus 304	psi, kpa, kg/cm², bar	1~2	-50°F to 160°F	0.1	0.1
2"		1/4" PT, BSP, NPT							0.18	0.16
2-1/2"		3/8", 1/2 PT, BSP, NPT							0.25	0.32
4"									0.73	0.80

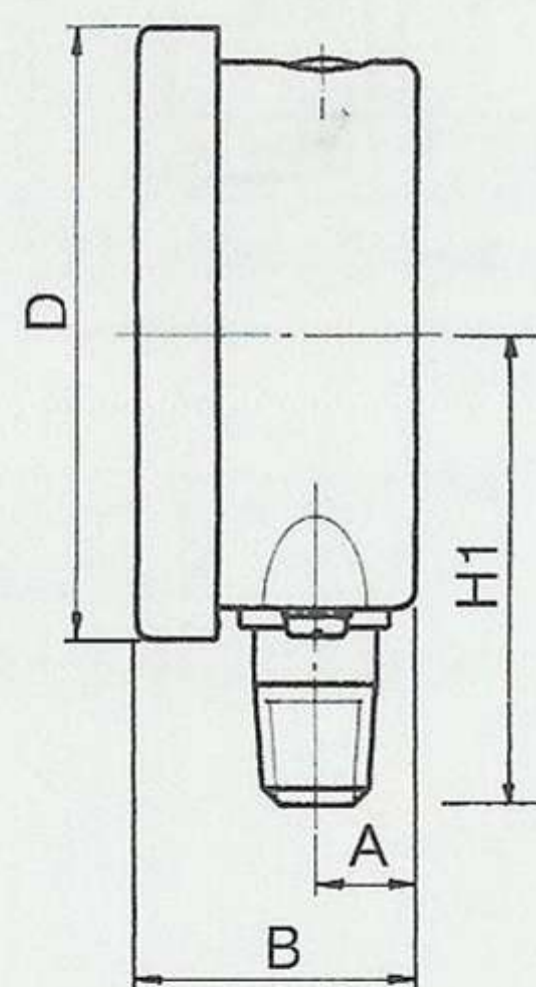
## Dimensions

Unit: mm

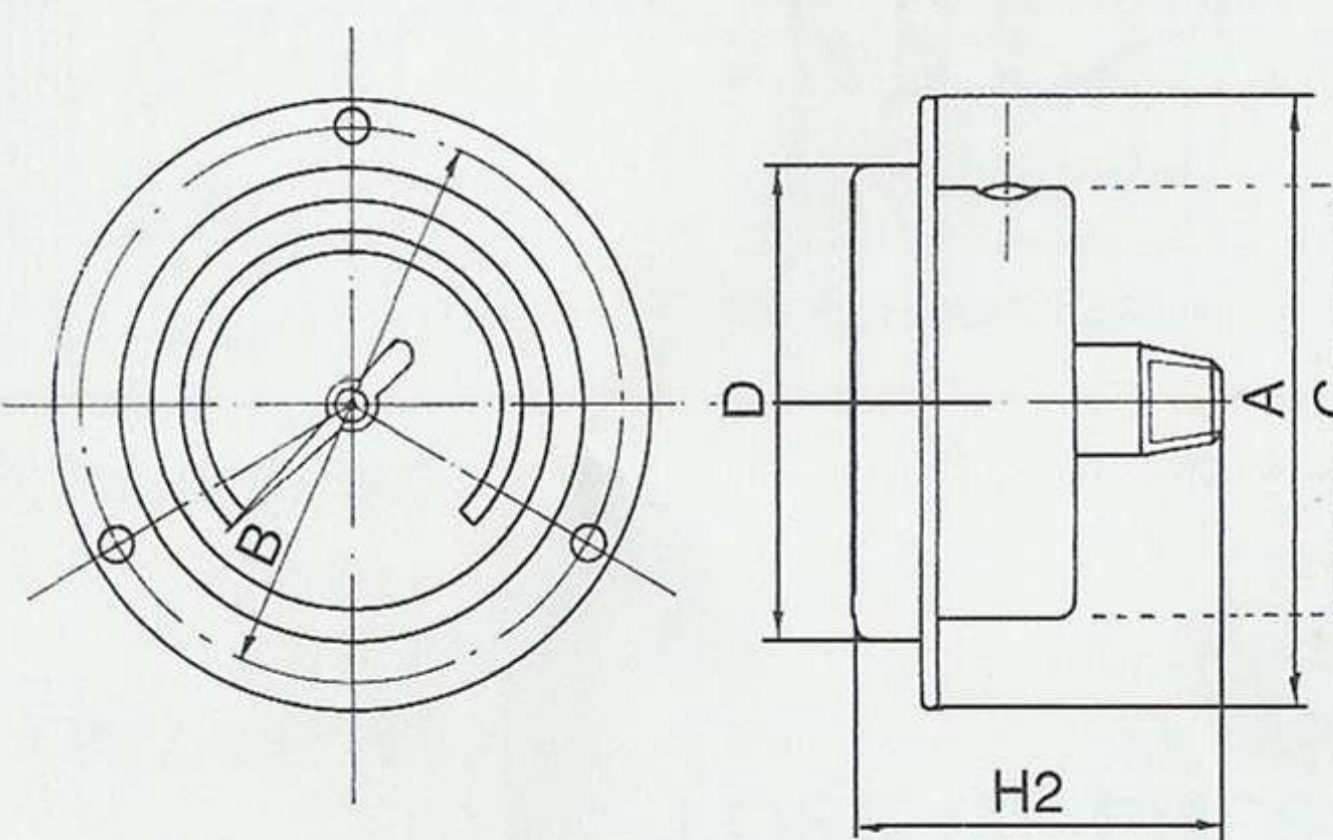
**A-Type Dia. 2"**



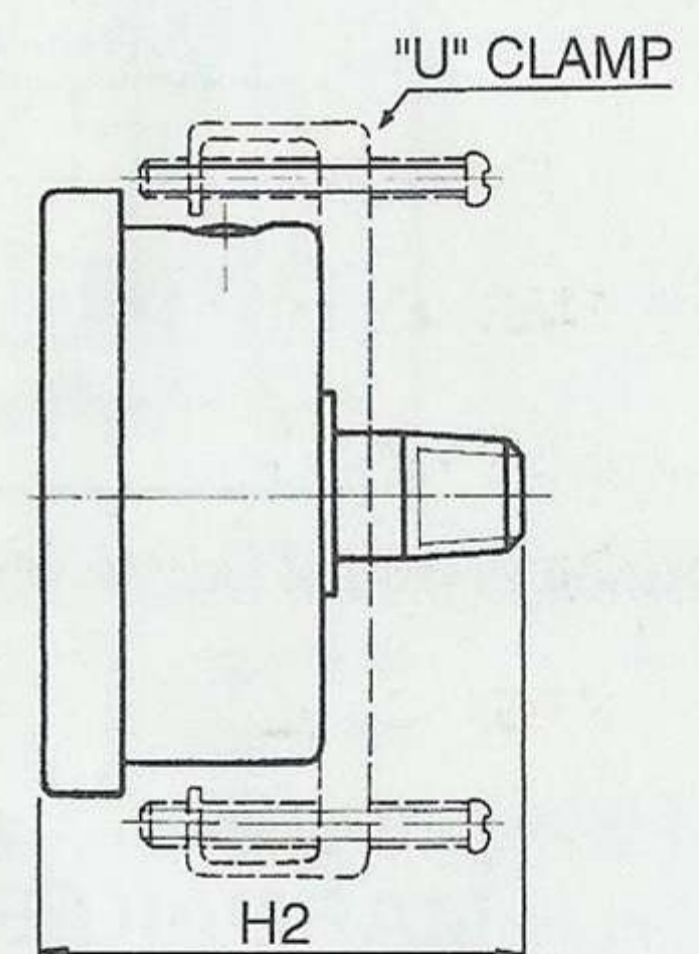
**A-Type Dia. 2-1/2", 4"**



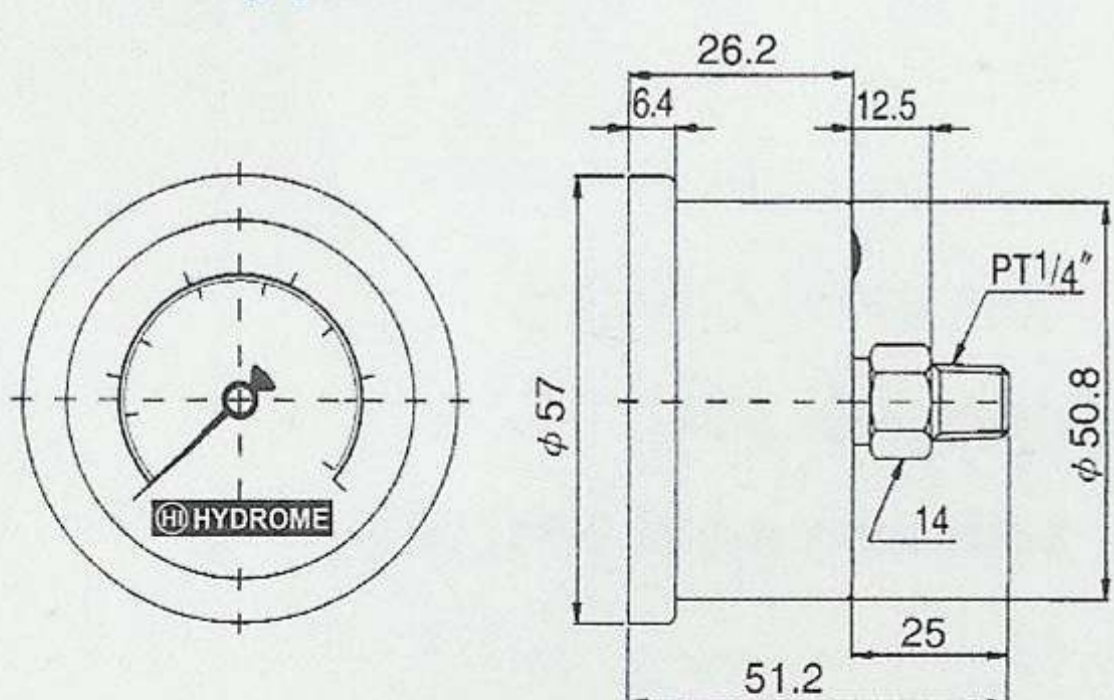
**BD-Type Dia. 2-1/2", 4"**



**AD-Type**



**D-Type Dia. 2"**



Type	Dia	D	A	B	C	Connector	
						H1	H2
A	2-1/2"	70	11	33		58	
	4"	107	11	33		80	
BD	2-1/2"	70	88		62		63
	4"	107	128		99		63